

SSPK SERIES
Speaker and Speaker/Strobe



Speaker/Strobe



Speaker

Features

- Flush Wall Mounting to a Standard 4" Square Deep Backbox
- Unit Dimensions: 5.12" square x 2.54" deep (backplate 1.98")
- High dBA Output
- Frequency Range 400-4000Hz
- Screw Terminals, Separate In/Out Wiring (12-18 Gauge)
- Field Selectable Power Taps: 1/8W, 1/4W, 1/2W, 1W, 2W, 4W
- Speaker Voltage 25 or 70.7 VRMs Standard, Field Selectable
- To Synchronize use the AVS Series Control Module
- Tamperproof Grill
- Attractive Fire Alarm Red or Off-White Textured Finish
- UL 464/UL 1971 Listed for Fire Protective Service/Signal for Hearing Impaired
- Models 75 and 110 Candela Meet or Exceed Requirements of the ADA and NFPA 72
- Faceplate Available in Red and Off-White

Description

The SSPK Series of speakers and speaker/strobes are designed to meet code requirements for audio, visual and voice communications.

The SSPK Series are quality speaker products that offer you both dependable evacuation signaling and visual alarms, or a combination of both.

The SSPK Series provides you a 25 or 70.7 VRMs speaker with field selectable power taps of 1/8W, 1/4W, 1/2W, 1W, 2W or 4W. The strobe may be rotated up to 270° on the face of the speaker so the portion of the speaker in the back box may be relocated to accommodate conduit and incoming wire.

The SSPK strobes can be synchronized by using the Synchronization Control Module. The SSPK series grills are constructed of high impact textured plastic. The SSPK Series is warranted for 3 years from the date of purchase.

The SSPK devices are UL 1480 and UL 1971 listed for use with fire protective signaling systems.

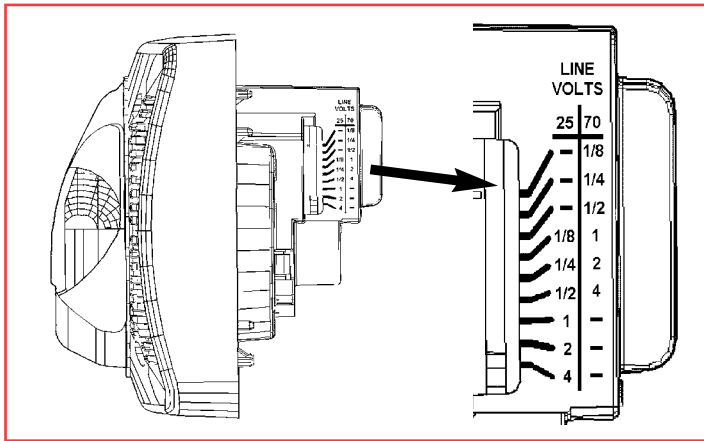
Engineering Specifications

The fire alarm speaker shall be an SSPK or equivalent. The speaker shall be capable of producing alarm tones or voice on all 25 or 70 VRMs audio systems. The speaker shall provide incremental tap settings of 1/8, 1/4, 1/2, 1, 2 or 4 watts. Minimum dBA ratings at 1/4 watt shall be 80 and at 4 watts 90dBA. Tap settings shall be adjustable with field selectable jumper pins. The speaker shall also have an optional visual signal capability.

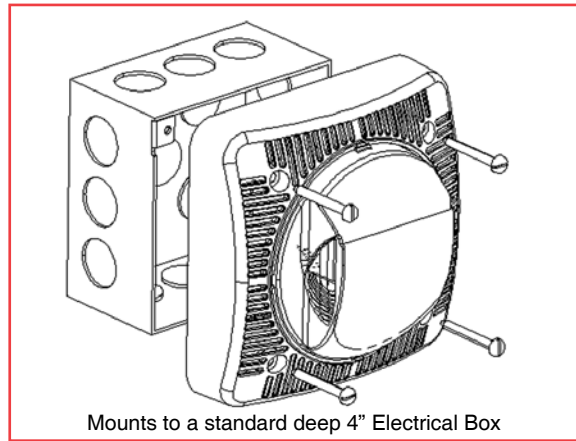
The visual signal shall have a 1Hz or up to 2Hz flash rate regardless of input voltage. All field wiring connections shall be made via separate in-out terminal connections and the speaker or speaker strobe shall be UL, CSFM, BS&A and BFP-listed and comply with all local, state and federal fire alarm codes/standards.



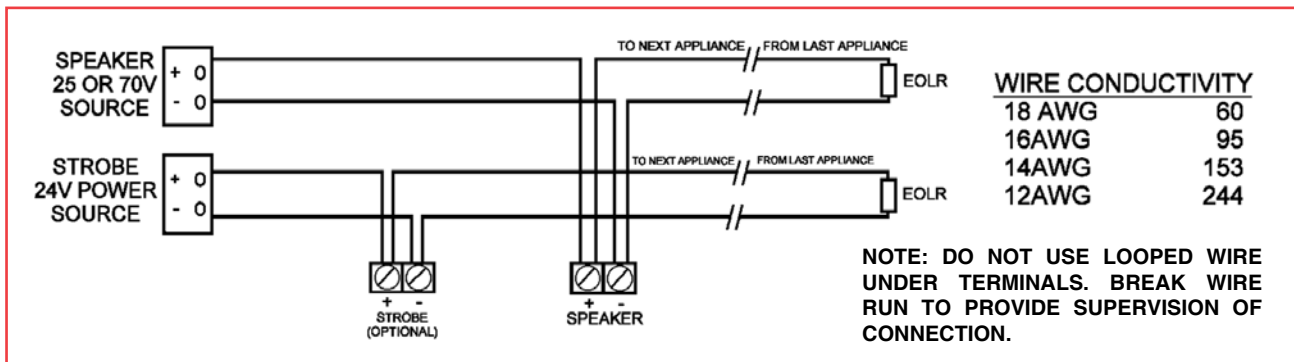
SSPK Power Taps



SSPK Mounting



Typical Wiring Diagram



SSPK Wall Mount Strobe Current Ratings

Candela	15cd	30cd	60cd	75cd & 15/75cd	110cd
24 VDC	54mA	70mA	93mA	107mA	136mA
UL Max ¹	78mA	96mA	137mA	180mA	224mA

¹ RMS current ratings are per UL average RMS method. UL max current rating is the maximum RMS current within the listed voltage range (16-33VDC for 24VDC units) (8-17VDC for 12VDC units). For strobes the UL max current is usually at the minimum listed voltage (16VDC for 24VDC units) (8VDC for 12VDC units). For audibles the max current is usually at the maximum listed voltage. For unfiltered FWR ratings, see installation manual.

Specifications

Speaker dBA @ 10 ft.	
Input Watts	UL Typical dBA
1/8	75
1/4	78
1/2	81
1	84
2	87
4	90

Notes:

- The SSPK Series is not listed for outdoor use.
- Operating temperature: 32° to 120°F (0° to 49° C).
- Secutron does not recommend using a coded or pulsing signaling circuit with any of these strobe products.

Ordering Information

Model Number	Strobe Candela
SSPKWR	N/A
SSPKWW	N/A
SSPK-15WR	15
SSPK-15WW	15
SSPK-15/75WR	15/75
SSPK-15/75WW	15/75
SSPK-30WR	30
SSPK-30WW	30
SSPK-60WR	60
SSPK-60WW	60
SSPK-75WR	75
SSPK-75WW	75
SSPK-110WR	110
SSPK-110WW	110

Model designations:

"R" = Red Faceplate "W" = Off-White Faceplate

