

**Gentex SSPKCLP Series
Ceiling Mount Speakers & Speaker/
Strobes**



Description

The Gentex SSPK24CLP is a ceiling mount, selectable candela speaker/strobe and the SSPKCLP is a ceiling or wall mount speaker designed to meet code requirements for audio, visual and voice communications. The SSPKCLP Series are quality speaker products that offer both dependable evacuation signaling and visual alarms, or a combination of both. The SSPK24CLP has high output tamperproof candela selections are 15, 30, 75, 95 and 115.

The SSPKCLP Series can be mounted in a 4" square x 2-1/8" deep back box, an extension ring is not needed.

The SSPKCLP Series provides a 25 or 70.7 VRMS speaker with field selectable power taps of 1/8W, 1/4W, 1/2W, 1W, 2W or 4W. The SSPK24CLP strobes can be synchronized by using the Gentex Synchronization Control Module, FACP's or power supplies that include the Gentex Synchronization Protocol.

The SSPKCLP Series grills are constructed of high impact textured plastic. The SSPKCLP is warranted for 3 years from the date of purchase. The SSPKCLP devices are UL 1971 listed for use with fire protective signaling systems.

Features

- 24VDC Tamperproof Selectable Candela Selections of 15, 30, 75, 95 and 115.
- Unit Dimension: 6.1" Square X 1.88" Deep
- SSPK24CLP Ceiling Mounting to a standard 4" X 2-1/8" Deep Back Box
- SSPKCLP Ceiling or Wall Mounting to a standard 4" X 2-1/8" Deep Back Box
- High Quality dBA Output (Intelligible)
- Frequency Range 400-4000Hz
- Screw Terminals, Separate In/Out Wiring (12-18 Gauge)
- Field Selectable Power Taps: 1/8W, 1/4W, 1/2W, 1W, 2W, 4W
- Speaker Voltage 25 or 70.7 VRMS Standard, Field Selectable
- To Synchronize Use the Gentex Synchronization Control Module
- Tamperproof Grill
- Faceplate Available in Red or Off-White
- UL 1480/UL 1971/UL 2043 Listed for Fire Protective Service/Signal for Hearing Impaired
- Xenon Strobe Maintains Constant Flash Rate (1Hz) Regardless of Input Voltage¹

Architect & Engineering Specifications

The fire alarm speaker shall be Gentex SSPKCLP, SSPK24CLP or equivalent. The speaker shall be capable of producing alarm tones or voice on all 25 or 70.7 VRMS audio systems. The speaker shall provide incremental tap settings of 1/8, 1/4, 1/2, 1, 2 or 4 watts. Minimum dBA ratings at 1/4 watt shall be 76.7dBA and at 4 watts 87.9dBA. Tap settings shall be adjustable with field selectable jumper pins. The speaker shall also have an optional visual signal capability.

The visual signal shall have a 1Hz flash rate regardless of input voltage. All field wiring connections shall be made via separate in-out terminal connections and the speaker or speaker strobe shall be UL, CSFM and BS&A/MEA listed and comply with all local, state and federal fire alarm codes/standards.



Electrical Specifications

Speaker dBA @ 10 ft.		
Input Watts	25 Volts	70.7 Volts
1/8	74.6 dBA	73.7 dBA
1/4	77.7 dBA	76.7 dBA
1/2	80.5 dBA	79.6 dBA
1	83.1 dBA	82.5 dBA
2	85.6 dBA	85.4 dBA
4	87.9 dBA	87.9 dBA

Notes:

The SSPKCLP Series is not listed for outdoor use.
 Operating temperature: 32° to 120°F (0° to 49° C).
 Gentex does not recommend using a coded or pulsing signaling circuit with any of its strobe products.

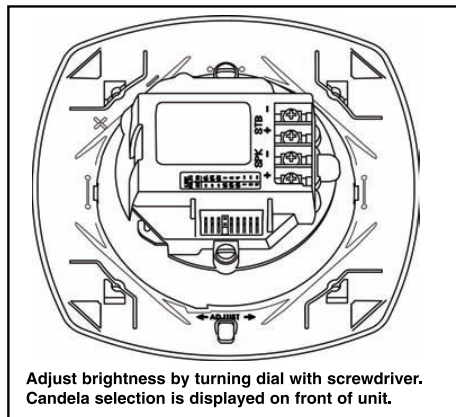
SSPK24CLP Ceiling Mount Strobe Current Ratings					
Candela	15cd	30cd	75cd	95cd	115cd
24 VDC	72mA	88mA	176mA	200mA	214mA
UL Max ¹	120mA	130mA	272mA	318mA	360mA

¹ RMS current ratings are per UL average RMS method. UL maximum current rating is the maximum RMS current within the listed voltage range (16-33VDC for 24VDC units) (8-17VDC for 12VDC units).

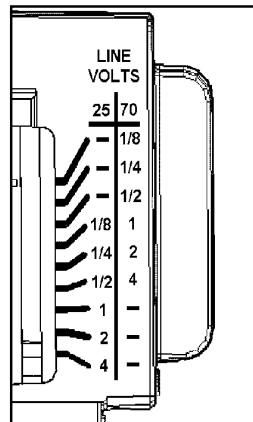
For strobes the UL max current is usually at the minimum listed voltage (16VDC for 24VDC units) (8VDC for 12VDC units). For audibles the maximum current is usually at the maximum listed voltage.

For unfiltered FWR ratings, see installation manual.

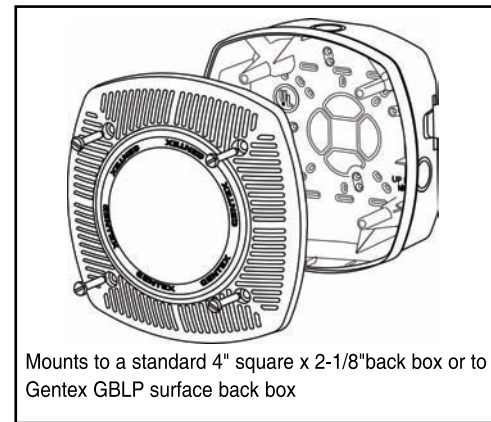
SSPK24CLP Candela Selection



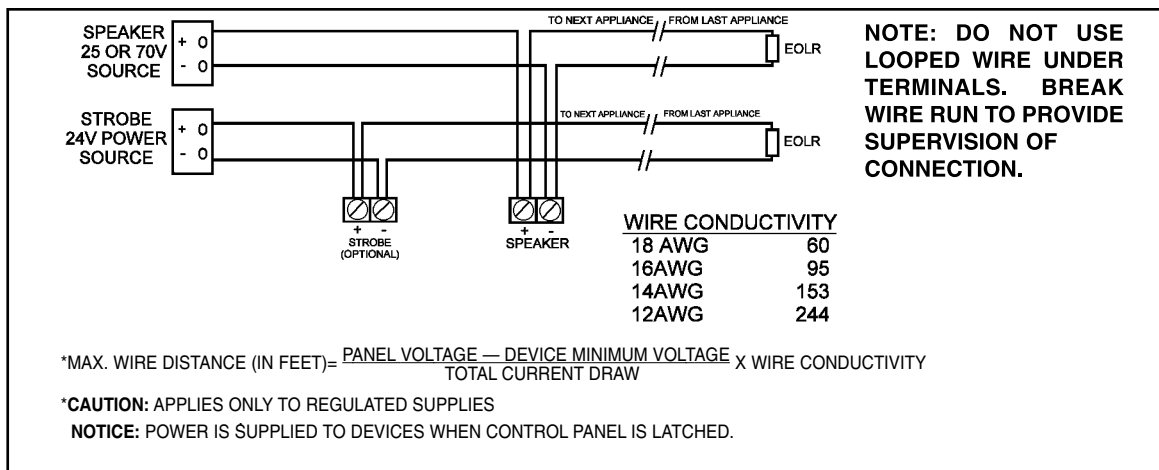
Power Tap Selection



SSPKCLP Mounting Diagram



Wiring Diagram



Ordering Information

Model	Description
SSPKCLPR	Low Profile Evacuation Speaker, Red
SSPKCLPW	Low Profile Evacuation Speaker, White
SSPK24CLPR	Low Profile Evacuation Speaker/Strobe, Red
SSPK24CLPW	Low Profile Evacuation Speaker/Strobe, White

