

**Gentex SSPKWLP Series  
Wall Mount Speakers & Speaker/  
Strobes**



SSPK24WLPW

SSPK24WLP R

**Description**

The Gentex SSPK24WLP Series are wall mount, selectable candela speaker/strobes designed to meet code requirements for audio, visual and voice communications. The SSPK24WLP Series are quality speaker products that offer both dependable evacuation signaling and visual alarms, or a combination of both. The high output tamperproof candela selections are 15, 30, 60, 75, 110. A fixed 15/75 candela unit is also available.

The SSPK24WLP can be mounted in a 4" square x 2-1/8" deep back box, an extension ring is not needed.

The SSPK24WLP Series provides a 25 or 70.7 VRMS speaker with field selectable power taps of 1/8W, 1/4W, 1/2W, 1W, 2W or 4W. The SSPK24WLP strobes can be synchronized by using the Gentex Synchronization Control Module, FACP's or power supplies that include the Gentex Synchronization Protocol.

The SSPK24WLP Series grills are constructed of high impact textured plastic. The SSPK24WLP is warranted for 3 years from the date of purchase. The SSPK24WLP devices are UL listed for fire protective services per UL 1480, the selectable candela strobe unit is listed to UL 1971 and the 15/75 unit is listed to UL 1638 and UL 1971.

**Features**

- 24VDC Tamperproof Selectable Candela Selections of 15, 30, 60, 75 and 110
- 24VDC Fixed 15/75 Candela
- Unit Dimension: 6.1" Square X 1.88" Deep
- Wall Mounting to a standard 4" Square x 2-1/8" Deep Back Box
- High Quality dBA Output (Intelligible)
- Frequency Range 400-4000Hz
- Screw Terminals, Separate In/Out Wiring (12-18 Gauge)
- Field Selectable Power Taps: 1/8W, 1/4W, 1/2W, 1W, 2W, 4W
- Speaker Voltage 25 or 70.7 VRMS Standard, Field Selectable
- To Synchronize Use the Gentex Synchronization Control Module
- Tamperproof Grill
- Faceplate Available in Red or Off-White
- Xenon Strobe Maintains Constant Flash Rate (1Hz) Regardless of Input Voltage<sup>1</sup>

**Architect & Engineering Specifications**

The fire alarm speaker shall be Gentex SSPK24WLP or equivalent. The speaker shall be capable of producing alarm tones or voice on all 25 or 70.7 VRMS audio systems. The speaker shall provide incremental tap settings of 1/8, 1/4, 1/2, 1, 2 or 4 watts. Minimum dBA ratings at 1/4 watt shall be 76.7dBA and at 4 watts 87.9dBA. Tap settings shall be adjustable with field selectable jumper pins. The speaker shall also have an optional visual signal capability.

The visual signal shall have a 1Hz flash rate regardless of input voltage. All field wiring connections shall be made via separate in-out terminal connections and the speaker or speaker strobe shall be UL, CSFM and BS&A/MEA listed and comply with all local, state and federal fire alarm codes/standards.



## Electrical Specifications

Speaker dBA @ 10 ft.		
Input Watts	25 Volts	70.7 Volts
1/8	74.6 dBA	73.7 dBA
1/4	77.7 dBA	76.7 dBA
1/2	80.5 dBA	79.6 dBA
1	83.1 dBA	82.5 dBA
2	85.6 dBA	85.4 dBA
4	87.9 dBA	87.9 dBA

### Notes:

The SSPKWLP Series is not listed for outdoor use. Operating temperature: 32° to 120°F (0° to 49° C). Gentex does not recommend using a coded or pulsing signaling circuit with any of its strobe products.

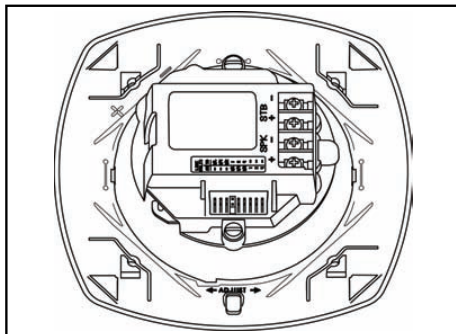
SSPK24WLP Wall Mount Strobe Current Ratings						
Candela	15cd	30cd	60cd	75cd	110cd	15/75cd
24 VDC	55mA	63mA	88mA	112mA	136mA	63mA
UL Max <sup>1</sup>	78mA	96mA	137mA	180mA	224mA	96mA

<sup>1</sup> RMS current ratings are per UL average RMS method. UL maximum current rating is the maximum RMS current within the listed voltage range (16-33VDC for 24VDC units) (8-17VDC for 12VDC units).

For strobes the UL max current is usually at the minimum listed voltage (16VDC for 24VDC units) (8VDC for 12VDC units). For audibles the maximum current is usually at the maximum listed voltage.

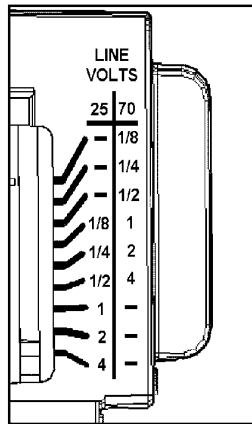
For unfiltered FWR ratings, see installation manual.

## SSPK24WLP Candela Selection

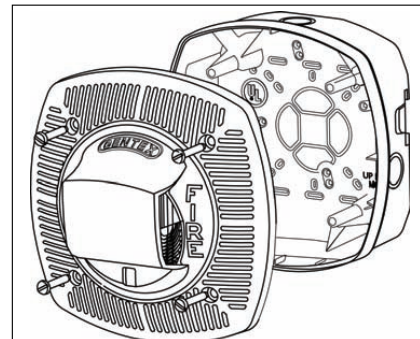


Adjust candela setting by turning dial with screwdriver. Candela selection is displayed on front of unit.  
Notice: Does not apply to fixed 15/75 candela unit

## Power Tap Selection

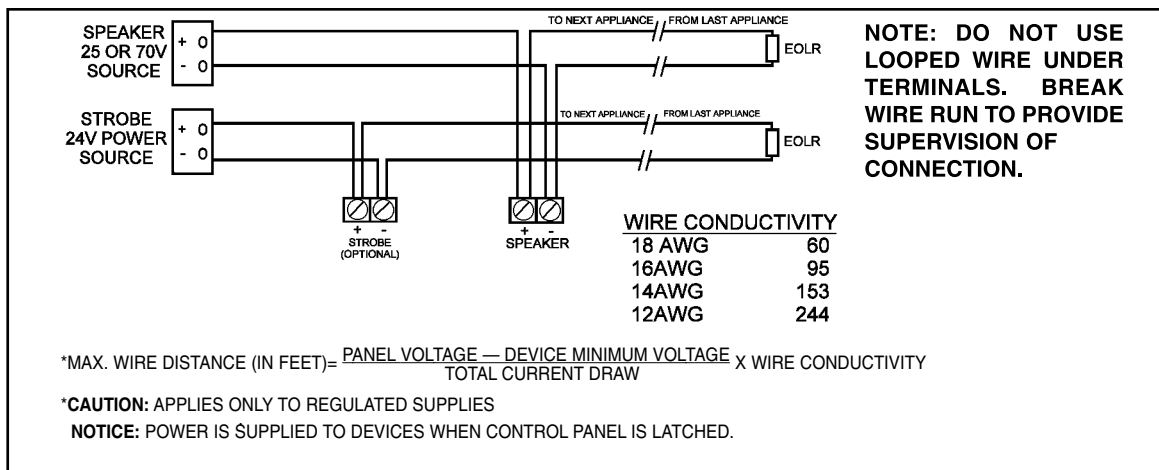


## SSPKWLP Mounting Diagram



Mounts to a standard 4" square x 2-1/8" back box or to Gentex GBLP surface back box

## Wiring Diagram



## Ordering Information

Model	Description
SSPKWLPR	Low Profile Wall Mount Speaker/Strobe, Red
SSPKWLPW	Low Profile Wall Mount Speaker/Strobe, White
SSPK24-15/75WLPR	Low Profile Wall Mount Speaker/Strobe, Fixed 15/75 Candela, Red
SSPK24-15/75WLPW	Low Profile Wall Mount Speaker/Strobe, Fixed 15/75 Candela, White

