

## MRM-700ADU SERIES Intelligent Manual Stations



MRM-710ADU  
Intelligent Addressable  
Dual Action Manual Station

MRM-701ADU  
Intelligent Addressable  
Single Action Manual Station

### Features

- Single or Dual Action
- Key resettable
- Permanently attached Intelligent Addressable Module
- High-gloss red enamel finish
- Plastic breakrod
- Meets ADA 5 lb. maximum manual-force
- Mounts on standard single gang box, Secutron's MRM-700 surface metal backbox or MRM-700WP weather proof backbox

### Description

Secutron's MRM-700ADU Series provide manual fire reporting. These high quality, die-cast metal Intelligent Fire Alarm Manual Stations are available in either single or dual action configurations with a permanently attached addressable module.

The MRM-700ADU Series stations are available as single or dual-action devices with key resets and a permanently attached addressable module. The addressable manual station has a pair of rotary decimal switches which allows for two digit address setting. Pulling the handle initiates the operation of the addressable module.

All models are available with CAT-30 keys and mount on a standard single gang backbox, Secutron model MRM-700 interior surface metal backbox, or MRM-700WP weather proof backbox.

### Operation

The MRM-701ADU Single Action Intelligent Manual Station is operated by pulling down the handle marked "PULL HANDLE" on the front of the station. The MRM-710U Dual Action Intelligent Manual Station is operated by pushing the bar labelled "PUSH BAR" and then pulling down the handle marked "PULL HANDLE". The MRM-700ADU Series Manual Stations are reset by opening the station with the key, placing the handle in the normal upright position and re-locking the station.

### Specifications

The manual station shall be Secutron's MRM-700ADU Series. Operating instructions shall be in raised English lettering and the unit shall be constructed of high quality die-cast metal and finished in red enamel paint to provide quick identification. Pulling the handle shall initiate immediate operation of the intelligent addressable module. All manual fire alarm stations shall be installed as per the specific requirements outlined in the UL codes, as well as all other applicable national or local codes. Final acceptance is subject to the local authority having jurisdiction.



## Specifications

<b>Switch Rating:</b>	1 Amp @ 30 VDC 0.1 Amp @ 125 VAC
<b>Manual Station Dimensions:</b>	4.9" H x 3.5" W x 2.0" D
<b>Color:</b>	Red with raised white letters, white manual bar with raised black letters.
<b>Current Consumption:</b>	Standby: 400 $\mu$ A Alarm: 5.5 mA

## Surface Mount Backboxes



### MRM-700 Surface Mount Backbox

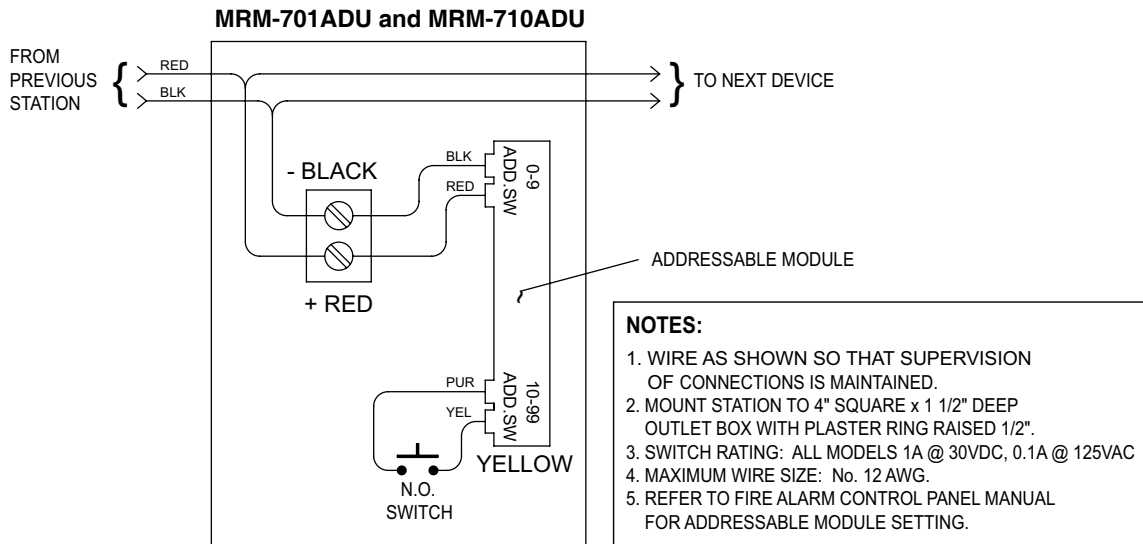
Dimensions:  
5" H x 3.6" W x 2.0" D



### MRM-700WP Weatherproof Surface Mount Backbox

Dimensions:  
5" H x 3.6" W x 2.2" D

## Typical Wiring Diagram



## Ordering Information

Model	Description
MRM-701ADU	Intelligent Addressable Key Resettable Single Action Manual Manual Station
MRM-710ADU	Intelligent Addressable Key Resettable Dual Action Manual Manual Station
MRM-700	MRM-700U Series Interior Surface Mount Backbox, Red Finish
MRM-700WP	MRM-700U Series Weatherproof Surface Mount Backbox, Red Finish

