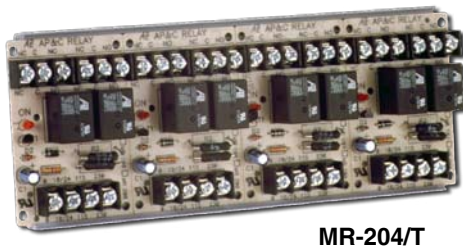


## Air Products MR Series Multi-Voltage Control Relays



### Features

- Relays may be energized from a voltage source of 18 to 35VDC or VAC, 120VAC or 230VAC
- Each relay position contains a red LED, which illuminates when the coil is energized. This provides a time saving device when checking an installed system – no metering is required
- Single, dual or triple relay modules may be “snapped apart” from standard 4-position master
- DC control inputs are polarized
- For continuous duty use at 24VAC, 24VDC or 120VAC (NOTE: Not intended for continuous duty use @ 230VAC)
- Available in dust resistant enclosures with LED viewing port(s)
- "C" versions mounted in enclosures
- "C/R" versions with red covers for NYC and other uses
- "T" versions come complete with track mounting hardware which facilitates installation in standard cabinets
- UL recognized relays rated at 10,000,000 mechanical operations
- UL listed as Control Unit Accessory

### Description

The MR Series Multivoltage Control Relays offer SPDT or DPDT 10 Amp resistive contacts which may be operated by one of four input control voltages. A single relay may be energized from a voltage source of 24VDC, 24VAC, 120VAC or 230VAC by wiring to appropriate input terminals.

Each relay position contains a red LED which indicates the relay coil is energized. Relays may be “snapped apart” from a standard 4 module assembly and used independently.

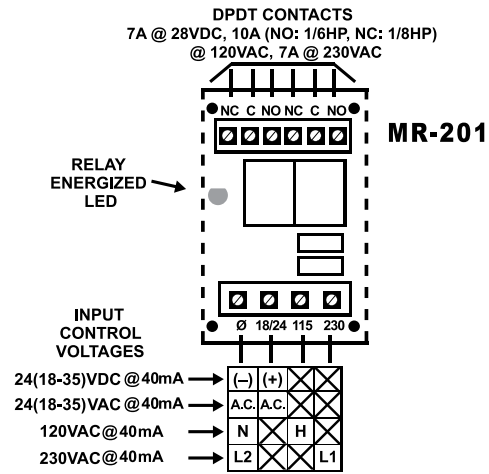
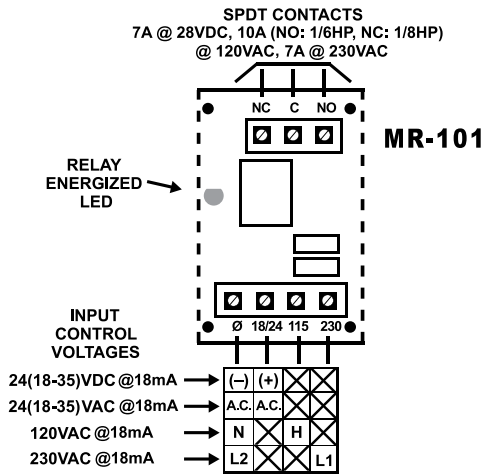
These Devices are Ideal for applications where local contacts are required for system status, remote contacts for control of electrical loads and general purpose switching. They are suitable for use with HVAC, Temperature Control, Fire Alarm, Security, Energy Management and Lighting Control Systems.



RECOGNIZED COMPONENT

**MEA**  
approved

# Wiring Diagrams



# Specifications

Model Number	Module Position	Contacts	Track Mounted (HxWxD)	Enclosure Mounted (HxWxD)	Cover Material
MR-101/T	1	SPDT	3.25" (82.6mm) x 2.125" (54mm) x 1.5" (38.1mm)		
MR-101/C	1	SPDT		5.125" (130.2mm) x 3.125" (79.4mm) x 2.5" (63.5 mm)	Grey ABS-94VO Plastic
MR-101/C/R	1	SPDT			Red ABS-94VO Plastic
MR-104/C	4	SPDT		5.125" (130mm) x 9.50" (241mm) x 2.50" (63mm)	Plated 18GA CRS
MR-201/T	1	DPDT	3.25" (82.6mm) x 2.125" (54mm) x 1.5" (38.1mm)		
MR-201/C	1	DPDT		5.125" (130.2mm) x 3.125" (79.4mm) x 2.5" (63.5 mm)	Grey ABS-94VO Plastic
MR-201/C/R	1	DPDT			Red ABS-94VO Plastic
MR-204/T	4	DPDT	3.25" (82mm) x 8.5" (215mm) x 1.50" (38mm)		
MR-204/C	4	DPDT		5.125" (130mm) x 9.50" (241mm) x 2.50" (63mm)	Plated 18GA CRS
MR-204/C/R	4	DPDT			Red 18GA CRS

Coil Voltage	
<b>MR-100</b>	24(18-35)VDC, 24(18-35)VAC, 120VAC, 230VAC
<b>MR-200</b>	24(18-35)VDC, 24VAC, 120VAC, 230VAC
(Pull In Voltage: 75% of nominal max. @ 25°C; Drop Out Voltage: 25% of nominal min. @ 25°C)	

<b>Current Requirement</b>	Per Module Position: MR-100 Series = 18mA / MR-200 Series = 40mA
<b>Contact Ratings</b>	7A @ 28VDC / 10A (NO:1/6HP, NC:1/8HP) @ 120VAC / 7A @ 230VAC
<b>Contact Construction</b>	Dry Form "C"

<b>Ambient Temperature</b>	-58°F to 185°F (-50°C to 85°C) @ 85% RH, NON-Condensing
<b>Wiring</b>	#14 to #22 AWG terminals

# Ordering Information

Model Number	Description
MR-101/T	Single SPDT Relay with LED, Track Mounted
MR-101/C	Single SPDT Relay with LED, Enclosure Mounted (Grey)
MR-101/C/R	Single SPDT Relay with LED, Enclosure Mounted (Red)
MR-104/C	Four SPDT Relay with LED, Enclosure Mounted (Grey)
MR-201/T	Single DPDT Relay with LED, Track Mounted
MR-201/C	Single DPDT Relay with LED, Enclosure Mounted (Grey)
MR-201/C/R	Single DPDT Relay with LED, Enclosure Mounted (Red)
MR-204/T	4-Position DPDT Relay with LED, Track Mounted
MR-204/C	4-Position DPDT Relay with LED, Enclosure Mounted (Grey)
MR-204/C/R	4-Position DPDT Relay with LED, Enclosure Mounted (Red)