

In no event shall Secutron be liable for any direct, indirect or consequential damages, loss of anticipated profits, loss of time or any other losses incurred by the buyer in connection with the purchase, installation or operation or failure of this product.

Important!

Secutron recommends that the entire system be completely tested on a regular basis. However, despite frequent testing, and due to but not limited to criminal tampering or electrical disruption, it is possible for this product to fail to perform as expected.



LT-2030 Rev. B

Canada
25 Interchange Way
Vaughan, ON, L4K 5W3
Tel: (905) 695-3545
Fax: (905) 660-4113
www.secutron.com

USA
60 Industrial Parkway
Cheektowaga, NY, 14227
Tel: 1-888-SECUTRON
Fax: 888-660-4113

INSTALLATION INSTRUCTIONS



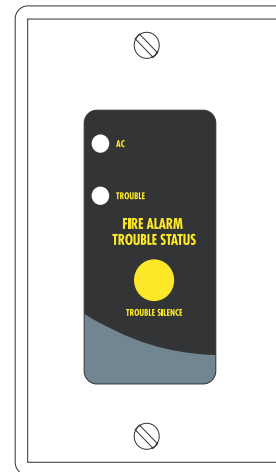
MR-2605-T Remote Trouble Unit MR-2605-AT Remote Trouble & Alarm Unit

The MR-2605-T Remote Trouble Unit provides remote trouble annunciation for the MR-2602/5 fire alarm control panels. The MR-2605-AT Remote Trouble and Alarm Unit provides remote trouble annunciation for the MR-2602/5 series fire alarm control panels. A maximum of four MR-2605-T and four MR-2605-AT units can be connected to each control panel.

SPECIFICATIONS

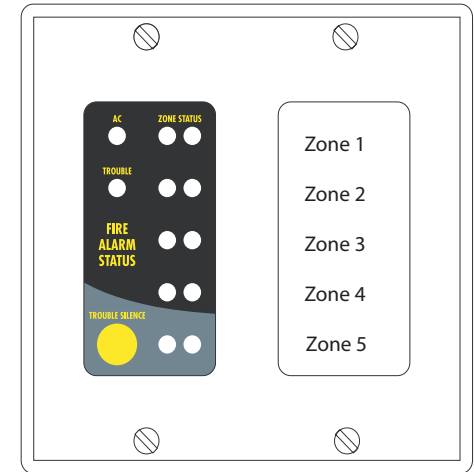
- Green AC ON indicator
- Yellow Common Trouble indicator
- Trouble Silence pushbutton
- Lamp Test function
- Communications: DAT & CLK from control panel
- Standby current: 15 mA
- Voltage: 24 Vdc
- Up to 8 addressable units (4 of each type)
- Supervised
- Power: AUX & COM from control panel

NOTE: *This component must be included in the control panel battery calculation. Refer to the Standby Battery Calculation Sheet (PN# 29005850) included with the control panel.*



MR-2605-T

- Alarm current: 25 mA max.
- Single gang mounting
- 2 3/4 x 4 1/2" (70 mm x 115 mm)



MR-2605-AT

- Alarm current: 40 mA max.
- Double gang mounting
- 4 1/2 x 4 1/2" (115 mm x 115 mm)
- Alarm & Supervisory LED/Zone

INSTALLATION

The MR-2605-T module mounts in a single gang outlet box. The MR-2605-AT mounts in a double gang outlet box. Refer to Figures 1 & 2 and Tables 1 & 2.

1. Configure jumpers (item 1) for desired operating address.
2. Affix zone identification labels, if required, on the label aligned with the LED indicators (MR-2605-AT Only).
3. Route Secur-Bus™ wiring through the outlet box. Connect the 4 wires to the terminals (item 2) on the PC board.
4. Position the module in the outlet box and secure with the screws (item 3) provided (2 screws for the Mr-2605-T, 4 screws for the MR-2605-AT).
5. Secure the front panel (item 4) to module with the screws provided (item 5).

Figure 1 Exploded View

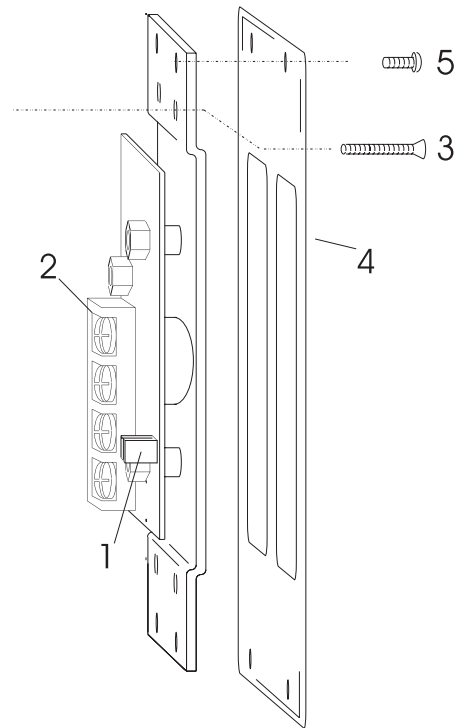
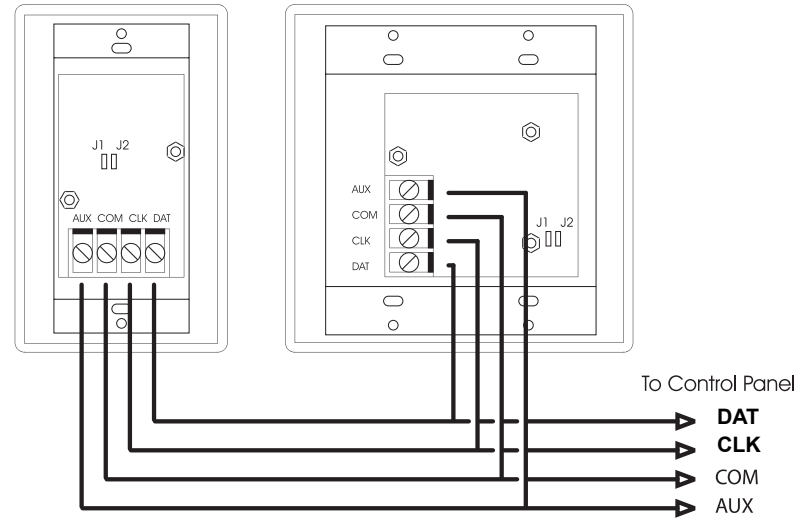


Figure 2 Panel Rear View



Typical wiring connections. Refer to the MR-2602/5 Series Control Panel *Installation Manual* for Secur-Bus wiring details.

OPERATION

The AC and Trouble LEDs on the remote units follow the control panel AC and Trouble LEDs. Pressing the Trouble Silence switch at the panel or at any remote unit will silence the trouble buzzer at the panel and all remote units.

Zone indicators on the remote units follow the zone indicators of the control panel. The red LED will operate if the panel zone is programmed for 'ALARM' and the yellow LED will operate if the panel zone is programmed for 'SUPERVISORY'.

The Lamp Test is initiated by pressing and holding the Trouble Silence pushbutton for 1/2 second. The LEDs will flash until the button is released.

Table 1 Address Programming

J1	J2	Address
OFF	OFF	1
ON	OFF	2
OFF	ON	3
ON	ON	4

Table 2 Secur-Bus Wire Run Chart

Current mA	18 AWG		16 AWG	
	Feet	Meters	Feet	Meters
15	6410	1954	10160	3098
30	3200	976	5080	1549
45	2135	651	3385	1032
60	1600	488	2540	774
75	1280	390	2030	619
90	1065	325	1690	515