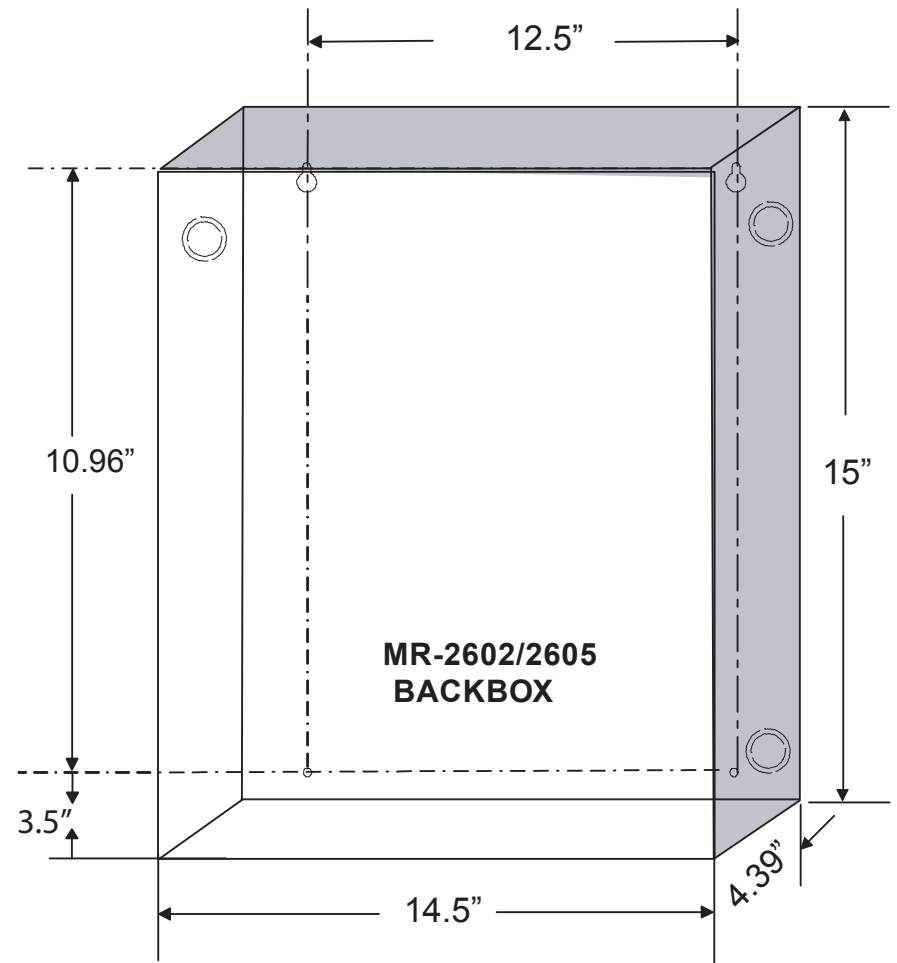
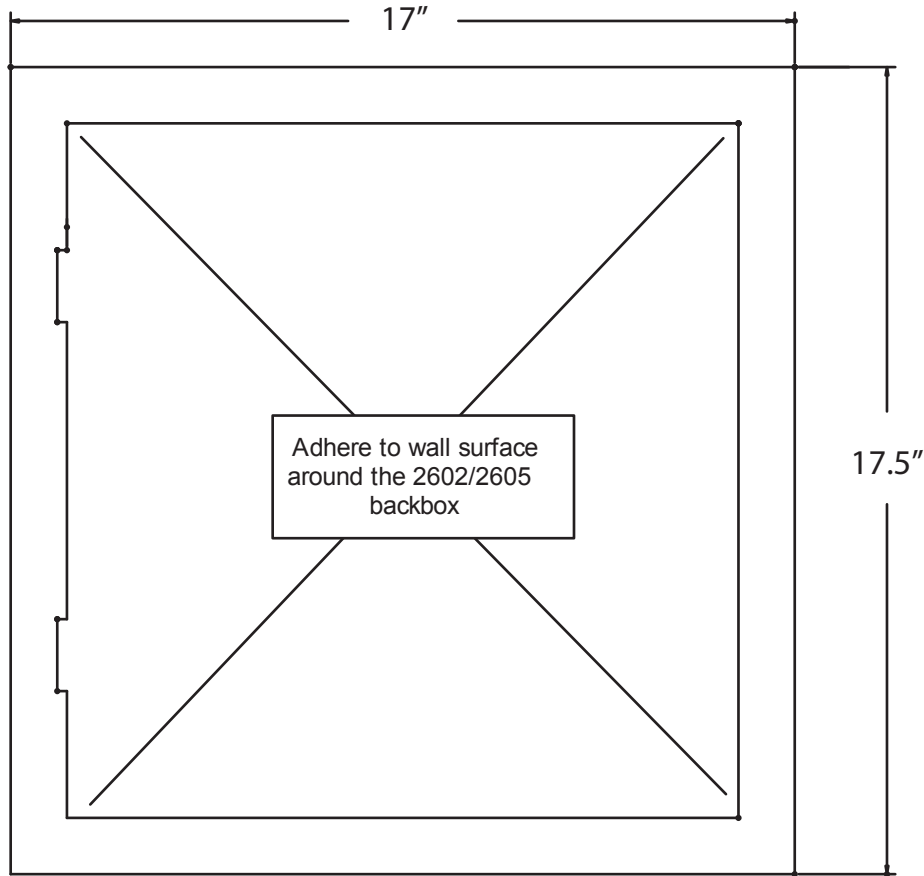


**PLACE MR-2605FT TRIM RING OVER BACKBOX**



**Notes:**

- The minimum depth above the wall required for semi-flush mounting using the flush trim ring is 1".
- The maximum depth for semi-flush mounting using the flush trim ring is 3.5".