

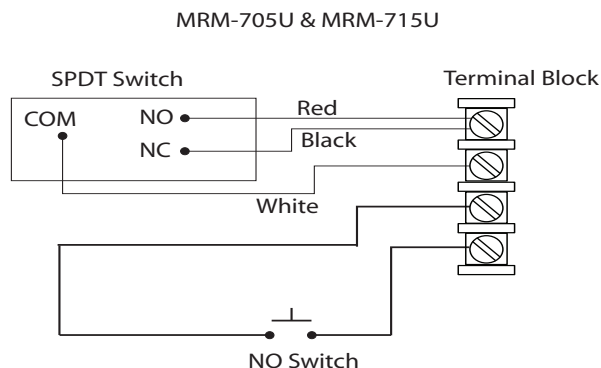
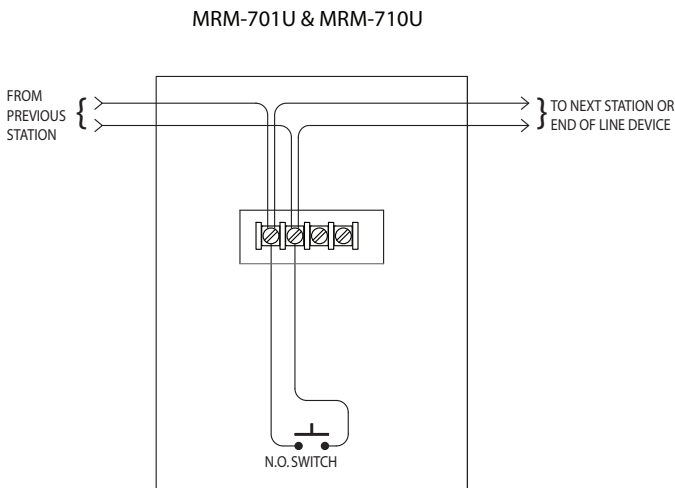
MRM-700U Series Installation Sheet

Secutron's MRM-700U Series Manual Stations provide manual fire reporting. These high quality, die-cast metal manual stations are available in either single or dual action configurations with SPST contacts and terminal strip connections. The normally open contact, which closes when the manual station is activated, is rated for 1 Amp at 30 VDC, 0.1 Amps at 125VAC. The contacts are gold plated to avoid the risk of corrosion.

The MRM-700U Series Manual Stations are available in many different configurations as either single or dual-action devices.

All manual fire alarm stations shall be installed as per the specific requirements outlined in the UL/ULC codes, as well as all other applicable national or local codes. Final acceptance is subject to the local authority having jurisdiction.

Wiring



Notes:

- Wire As Shown So That Supervision Of Connections Is Maintained.
- Mount Station To 4" Square X 1 1/2" Deep Outlet Box With Plaster Ring Raised 1/2".
- Maximum Wire Size: No. 12 Awg.
- Refer To Fire Alarm Control Panel Manual For Addressable Module Setting.
- Switches shown in the Station Closed position
- **ADA compliant.**
- **To be installed per ADA 4.27.1 to 4.27.4 inclusive.**

Specifications & Dimensions

Switch Rating: 1 Amp @ 30 VDC
0.1 Amp @ 125 VAC

Manual Station: 4.9" H x 3.5" W x 2.0" D

Surface-Mount Backbox: 5.0" H x 3.6" W x 2.0" D

Current Consumption: Standby: 400 uA
Alarm: 5.5 mA

Models

MRM-701U: Single Action Manual Station
MRM-710U: Dual Action Manual Station
MRM-705U: Single Action Manual Station C/W Additional 1 Form "C" (SPDT) Contact
MRM-715U: Dual Action Manual Station C/W Additional 1 Form "C" (SPDT) Contact
MRM-700: Backbox
MRM-700WP: Weatherproof Backbox

Canada
25 Interchange Way
Vaughan, ON L4K 5W3
Tel: (888) SECUTRON
(888) 732-8876
Fax: (905) 660-4113

U.S.A
4575 Witmer Industrial Estates
Niagara Falls, NY 14305
Tel: (888) SECUTRON
(888) 732-8876
Fax: (905) 660-4113



www.secutron.com

LT-936SEC Rev. 3